

ROBOTTO

HAWK UAV

Quadcopter UAV equipped with Robotto's advanced software solutions.

- 🎯 Assisted Autonomy
- 🛡️ Object Avoidance
- ➡️ Situational Flight Paths
- 📷 AI-Powered Detection



Providing first responders with industry leading intelligent robotics.

info@robotto.ai
www.robotto.ai

360 Sensors

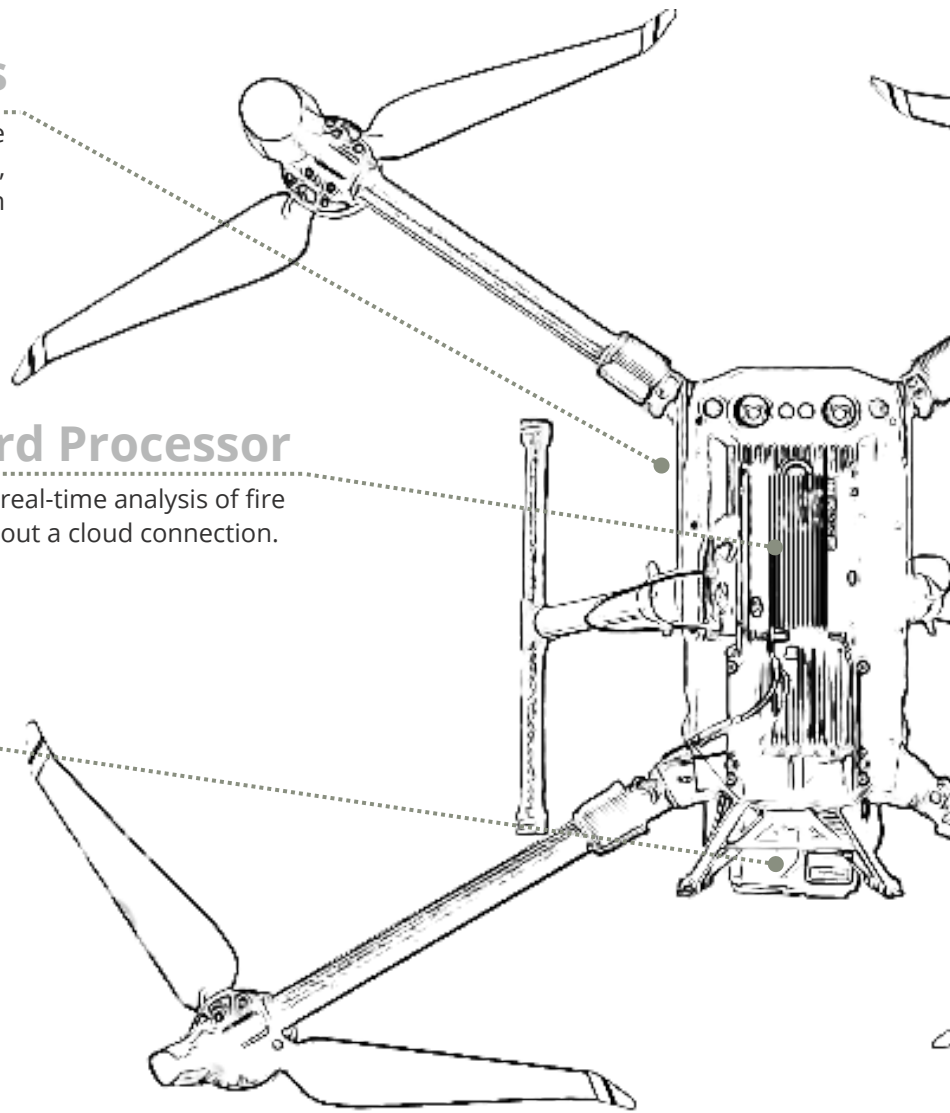
Advanced object avoidance utilizes 360 sensors, protecting the hardware from smoke and fire damage.

Onboard Processor

Provides real-time analysis of fire data without a cloud connection.

H20T Camera

DJI Zenmuse Thermal Camera includes four powerful and fully integrated sensors



ROBOTTO OVERWATCH

DIMENSIONS (PROPELLERS OUT) 430×420×430 mm (L×W×H)

WEIGHT (WITH BATTERIES) Approx. 7 kg

FLIGHT TIME Up to 45 minutes

MAX FLIGHT SPEED (SEA LEVEL, NO WIND) 17 m/s

MAX WIND SPEED RESISTANCE 15 m/s

OPERATIONAL TEMPERATURE RANGE -20°C to 50°C

MAIN PROCESSOR Yunguan 2 with Nvidia Jetson NX

ENVIRONMENT COVERAGE 360 degrees

THERMAL SENSOR Uncooled VOx Microbolometer

COLOR LENS FOLCAL LENGTH 13.5 mm (equivalent: 58 mm)

THERMAL RESOLUTION 640×512 @ 30 Hz

TEMP MEASUREMENT Spot Meter, Area Measurement

ROBOTTO OVERWATCH AI

ONBOARD AI Precision 92%

ADVANCED AI ASSISTANCE Obstacle Avoidance, Autonomous take-off, landing and flight planning